



SAM HOUSTON STATE UNIVERSITY
Huntsville, Texas 77341

ADDENDUM 1 for 753-9-WHT012

Invitation for Bid:

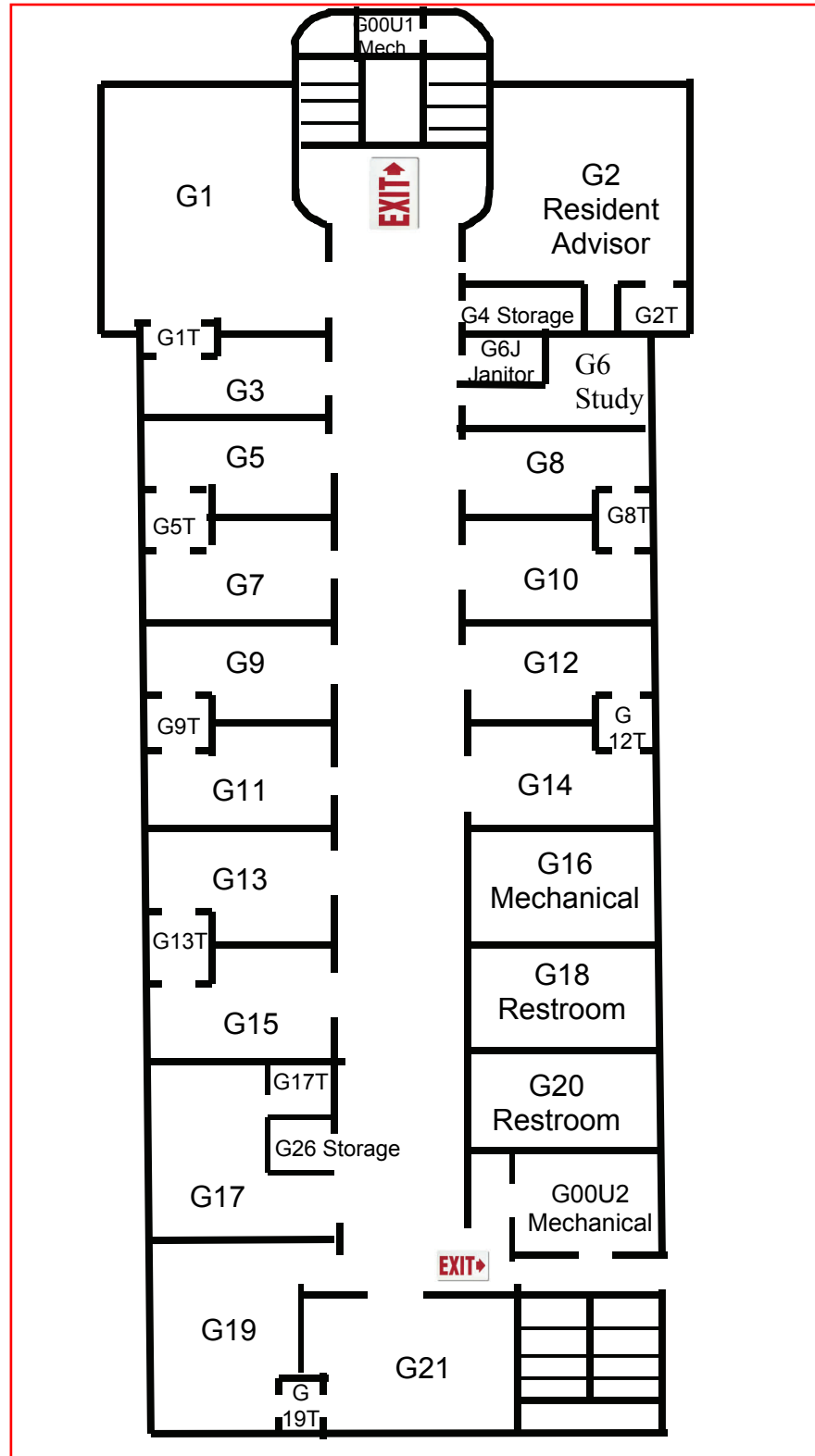
PAINT AND TEXTURE PROJECT FOR BELVIN HALL 2009

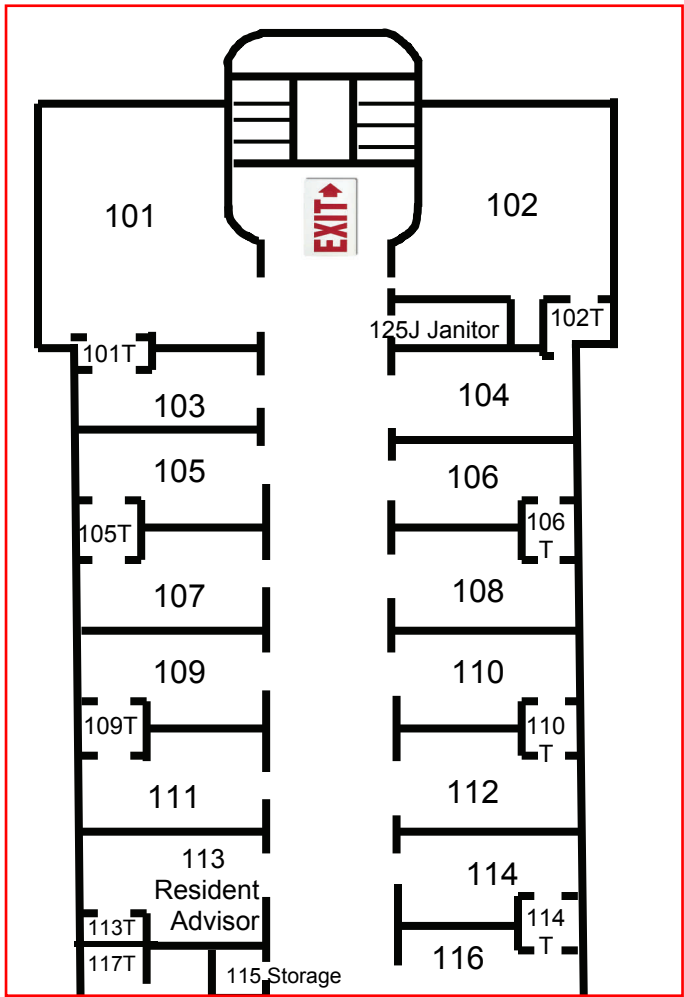
The following are clarifications/corrections for the above referenced Invitation for Bid.

1. The contractor is responsible for painting from the top of the stairs, approximately room #116, #216, #316, back to the elevator on each floor.
2. Attached floor plan, four (4) pages. Contractor is not responsible for painting the ground floor; page one, or any area in the red box, west wing.

Belvin - Buchanan
Ground Floor
(Plans not to scale)

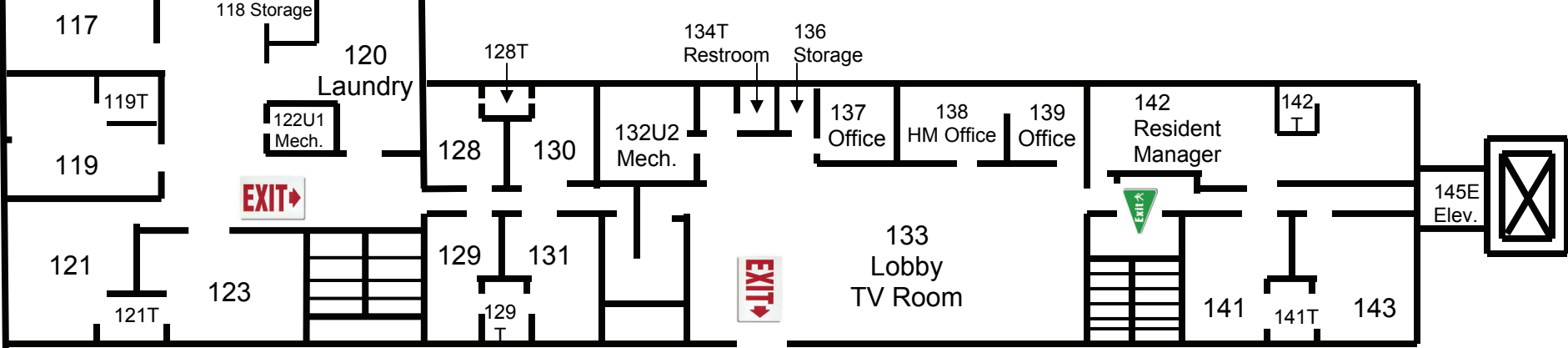
Contractor will not paint anything on
the Ground Floor.

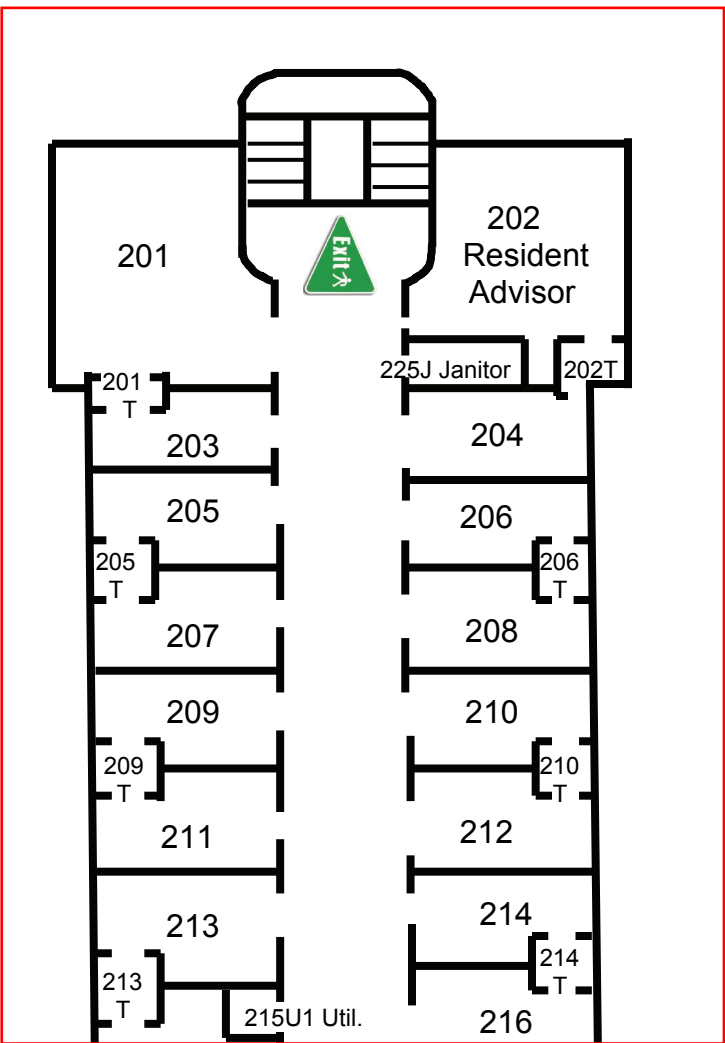




Belvin - Buchanan
 First Floor
 (plans not to scale)

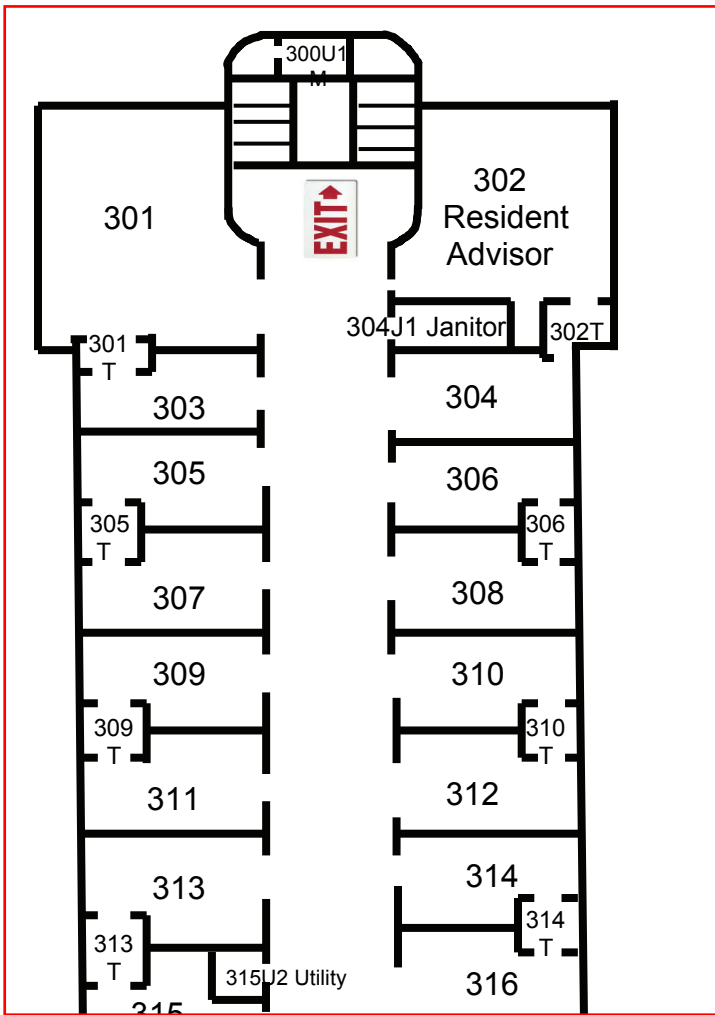
Area in red box is not to be painted. Contractor is responsible for painting from top of stairway at approximately room #116 back to elevator.





Belvin - Buchanan
Second Floor
(plans not to scale)

Area in red box is not to be painted. Contractor is responsible for painting from top of stairway at approximately room #216 back to elevator.



Belvin - Buchanan
Third Floor
(plans not to scale)

Area in red box is not to be painted. Contractor is responsible for painting from top of stairway at approximately room #316 back to elevator.

